

## DESCRIPTION

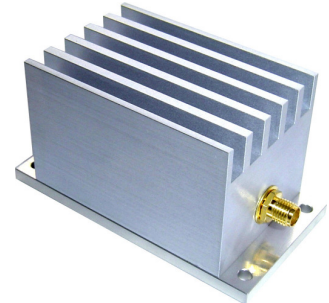
These amplifiers are made for general purpose applications, covering frequency ranges up to 450 MHz. In association with a VCO driver or a DDS driver, they will provide the necessary RF power to drive an acousto-optic device up to **1 or 2.5 watts**.

## FEATURES

- LARGE BAND
- RoHS

## APPLICATIONS

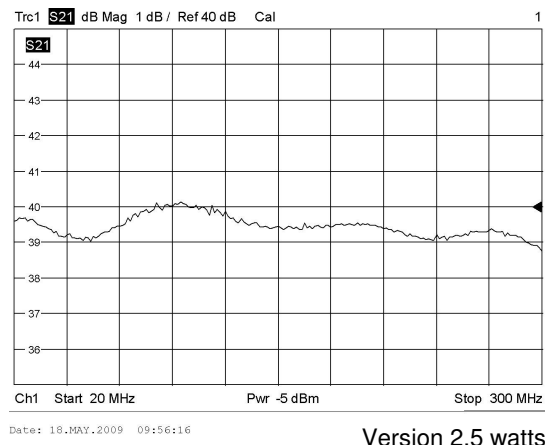
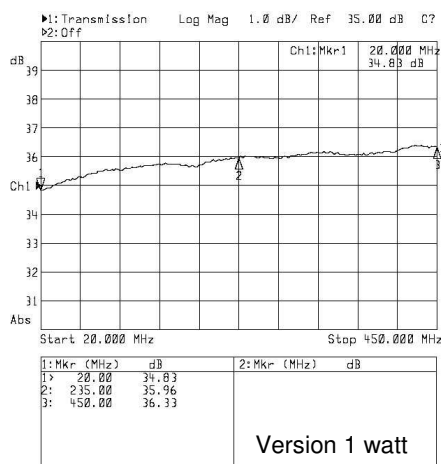
- ACOUSTO-OPTIC DRIVER
- INSTRUMENTATION



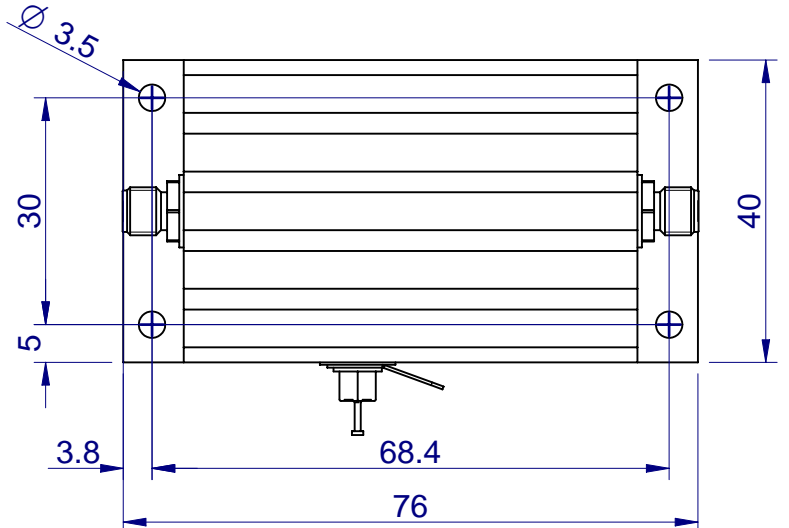
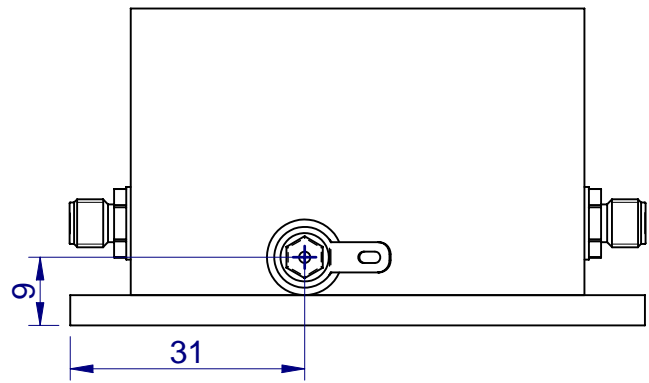
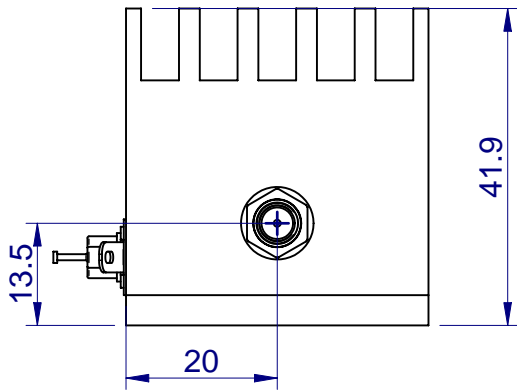
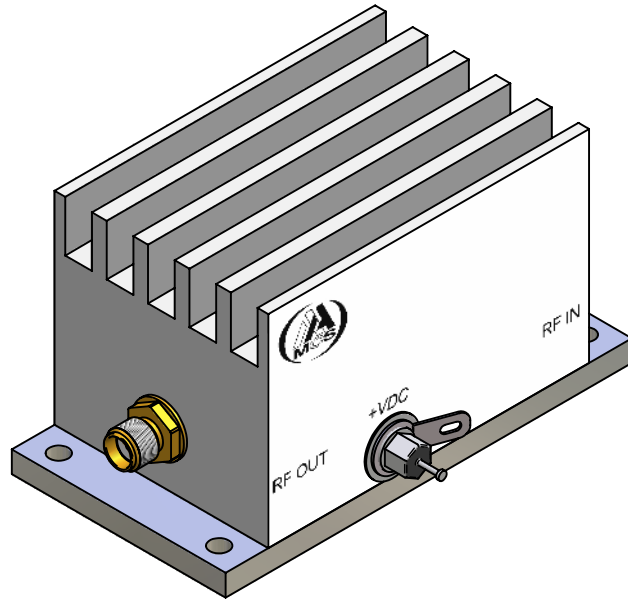
Parameter	Unit	AMPA-B-30 Version 1 Watt	AMPA-B-34 Version 2.5 Watts
Frequency range	MHz	20 - 450	20 – 425
Gain	dB	≥ 33	≥ 38
Gain Flatness	dB	≤ +/1	≤ +/1
Noise Figure		nom 5	nom 7
Output RF Power (@1dB compression)	W	≥ 30 (1 Watt)	≥ 34 (2.5 Watts)
Input / Output impedance	Ω	50	50
Power supply	VDC	24 +/- 0.5 (≤ 340 mA)	24 +/- 0.5 (≤ 500 mA)
Class		AB	AB
Input / Output Connector		SMA female	SMA female
Size / Weight	mm <sup>3</sup> / g	76 x 40 x 42 / 220	76 x 40 x 42 / 220
Heat Exchange		Conduction through baseplate	Conduction through baseplate
Operating Temperature (Non condensing)	°C	-10 ~ +55	-10 ~ +55


### Options / On request

- POWER SUPPLY  110-230 VAC  
 RF POWER  up to 500 Watts  
 HOUSING  Rack 19"



Ce document est la propriété de AA-MCS et ne peut être communiqué sans son accord.



Vérif.	Nom:	Cotes après traitement sauf contre indications	Tolérances: ±0.1mm ±1° √ 3.2μm
Date:			
Dess.	Nom: <b>COUTHON S.</b>		
Date:	<b>09/02/2009</b>		
Matière:			
Traitement /Finition:			
Titre: <b>AMPA 2,5W assemblage et vue d'ensemble</b>			
0	Création	09/02/09	S.C
Ind.	Description	Date	Visa
N° Plan		1AMPME09002.0055 Vue d'ensemble	
Ech: 1/1		Page 1/1	