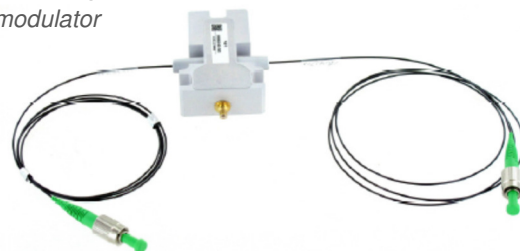


Product Overview

This compact fiber pigtailed device is meant for a single-wavelength operation in [1500-1600] nm. It is made of doped glass which provide interesting features such as insensitivity to polarisation and low RF power consumption. It can be used as intensity modulator as well as fixed frequency shifters for telecommunication and sensing applications. Its compactness, reliability and high performance will make this modulator a good candidate for most industrial applications.

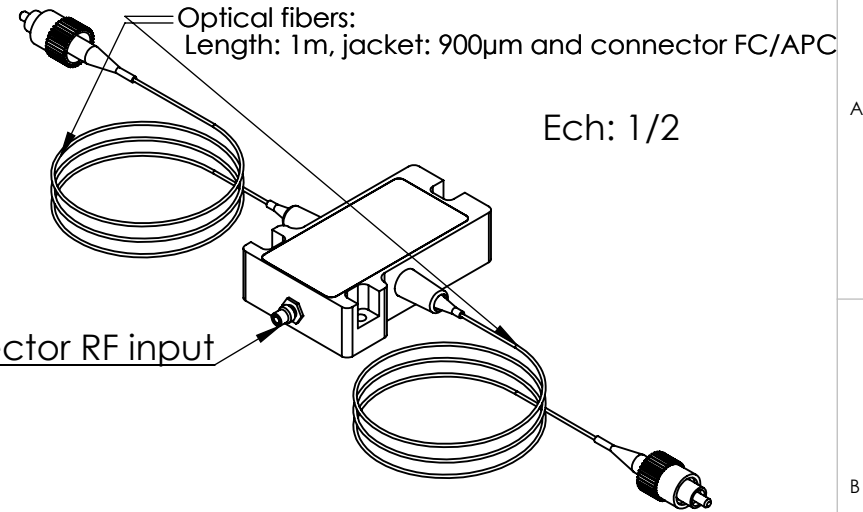
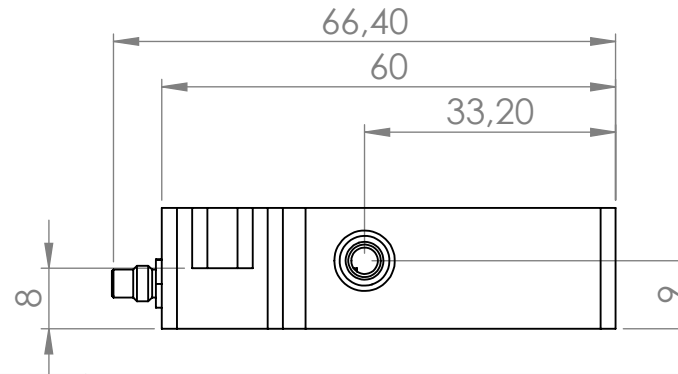
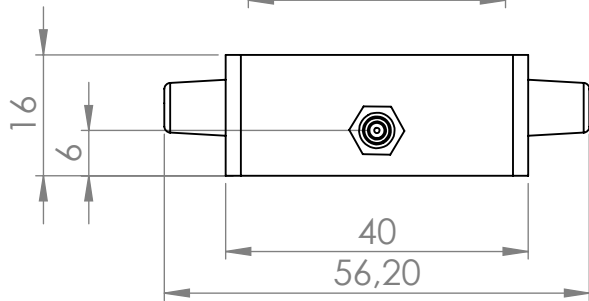
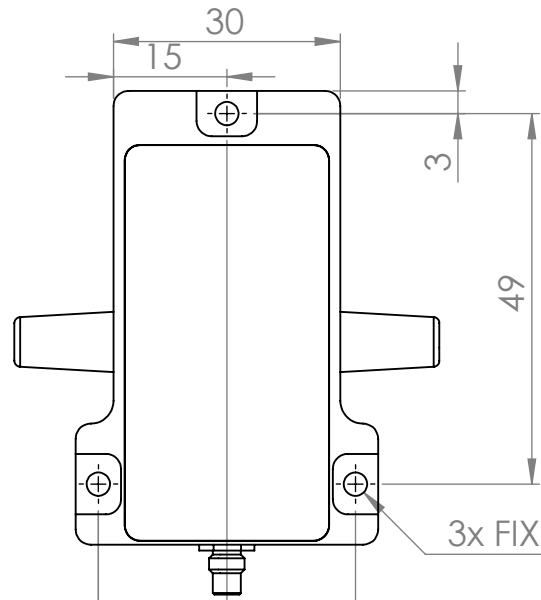



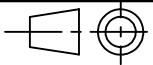
Features

- No polarisation dependent losses.
- Low RF power
- Low insertion losses
- High reliability
- Compact design

	Units	Min	Nom	Max
Material		Chalcogenide Glass		
Optical Wavelength range (λ)	nm	1500		1600
Carrier Frequency / Frequency shift	MHz		+ 40	
Insertion losses (IL)	dB		2	2.5
Input / Output Polarization		-		
Rise/Fall time	ns		55	
Analog Amplitude modulation bandwidth -3 dB	MHz			8
Polarisation Mode dispersion (PMD)	ps		-	
Polarisation dependence losses (PDL)	dB		-	
Static Extinction Ratio	dB	40		
Optical power CW	mW			100
Fiber Type		SMF 28		
Jacket type		900 μ m Hytrel tubing		
Fiber connectors		FC/APC		
Pigtailed length IN/OUT	m	1		
Input impedance	Ω		50	
V.S.W.R			1.2/1	
RF Power (P)	mW			300
RF Connector		SMC		
Size	mm ³	60 x 40 x 16		
Weight	g		60	
Packaging		IN PRO 330		
RoHS Compliance		Yes		
On request		PM 1550 fiber		

$$* F_{-3dB} = \frac{0.48}{T_r}$$



A	03/02/14	G.M	Plan initial / Initial plan			
Indice Index	Date	Auteur Author	Modifications			
Conception Design	GM	Désignation / Designation				
Vérification Checking	FLF	PLAN D'INTERFACE				
Tolérance Tolerance	ISO 2768mK	Référence / Reference				
Echelle Scale	1:1	IN-PRO-330		A.A. SA OPTO-ELECTRONIQUE DIVISION 18, rue Nicolas Appert F-91898 ORSAY tel : 08 11 09 76 76 fax : 01 76 91 50 31		
Format A4		Matière / Material	Traitement / Treatment	Finition / Finish		
		Ce document est la propriété de A.A.SA. Il est strictement interdit de reproduire ce document ou une partie sans l'autorisation de A.A.SA. This document is the property of A.A.SA. It is strictly prohibited to reproduce this document or a part without the authorization of A.A.SA.			Folio / Sheet	Indice / Index
					1/1	A