

## Product Overview

This fiber pigtailed device is meant to be used for a single wavelength within the range of operation [488-532 nm]. It can be used for intensity modulation, fixed or variable frequency shifting. It is equipped with multi-mode fibers and the common applications are Optical shutters, LIDAR, illumination purposes and many others.

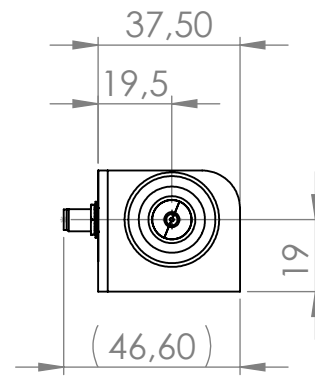
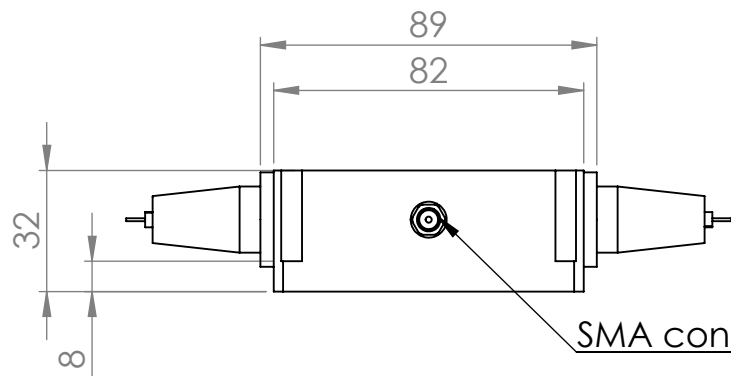
## Features

- Multi-mode fibers
- Robust and versatile.

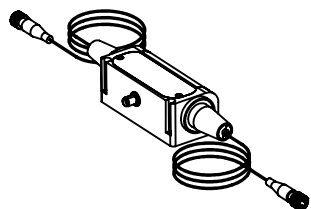
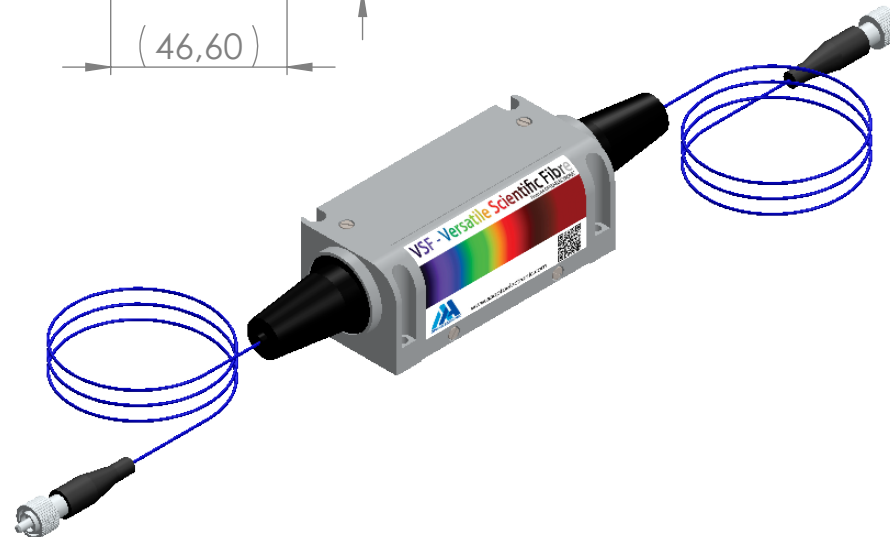
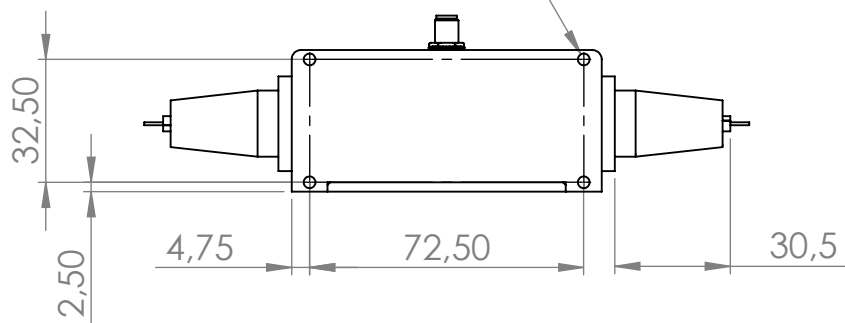


	Units	Min	Nom	Max
Material		TeO <sub>2</sub> [L]		
Optical Wavelength range (λ)	nm	488		532
Carrier Frequency / Frequency shift	MHz	+ 180 or - 180		
Insertion losses (IL)	dB		3	4
Input / Output Polarization		-		
Rise/Fall time (T <sub>r</sub> )	ns			430
Analog Amplitude modulation bandwidth (F <sub>-3dB</sub> )	MHz			12
Polarisation dependence losses (PDL)	dB			0.5
Static Extinction Ratio	dB	30	35	
Optical power CW	W			0.5
Jacket type		900 μm Hytrel tubing or 3mm PVC or 3 mm Stainless Steel		
Fiber type		Multimode Fibers, Core 50 μm, cladding 125 μm, NA 0.22		
Fiber connectors		FC/APC or Super FC/PC		
Pigtailed length IN/OUT	m	1		
Input impedance	Ω		50	
V.S.W.R			1.2/1	
RF Power (P)	W			3
RF Connector		SMA		
Size	mm <sup>3</sup>	89 x 46.6 x 32.5		
Weight	g		250	
Packaging		IN PRO 334		
RoHS Compliance		Yes		

$$* F_{-3dB} = \frac{0.48}{T_r}$$



4x FIXING HOLES FOR SCREWS M2.5



B	28/04/16	G.M	Réhausse fibre de 18 à 19.		
A	17/12/14	G.M	Plan initial / Initial plan		
Indice Index	Date	Auteur Author	Modifications		
Conception Design	GM	Désignation / Designation			
Vérification Checking	YN	PLAN D'INTERFACE			
Tolérance Tolerance	ISO 2768mK	Référence / Reference			
Echelle Scale	1:2	Matière / Material		Traitement / Treatment	Finition / Finish
		Format A4	Ce document est la propriété de A.A.SA. Il est strictement interdit de reproduire ce document ou une partie sans l'autorisation de A.A.SA. This document is the property of A.A.SA. It is strictly prohibited to reproduce this document or a part without the authorization of A.A.SA.		
		Folio / Sheet		Indice / Index	
		1/1		B	

A.A. SA OPTO-ELECTRONIC DIVISION  
 18, rue Nicolas Appert  
 F-91898 ORSAY  
 tel : 08 11 09 76 76  
 fax : 01 76 91 50 31