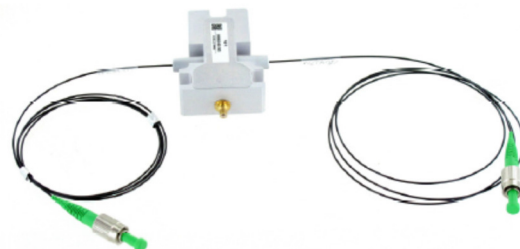


Product Overview

This compact fiber pigtailed devices is meant for a single-wavelength operation in [1030-1064] nm. It can be used as intensity modulator, fixed frequency shifter and also as pulse picker. Its compactness, reliability and high performance will make this modulator a good candidate for most industrial applications.

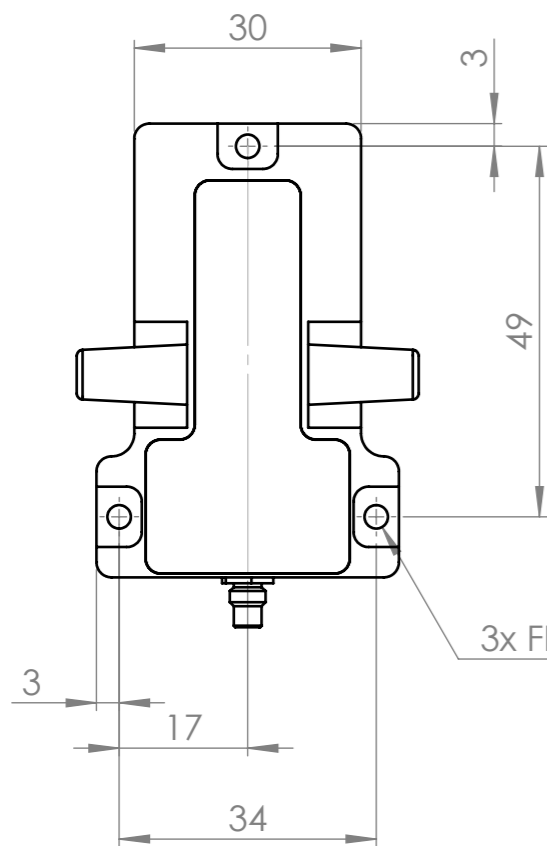
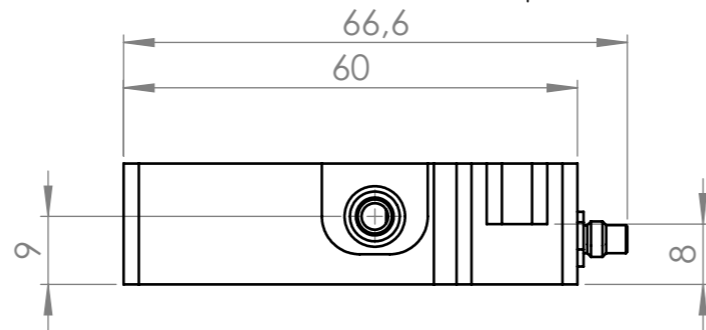
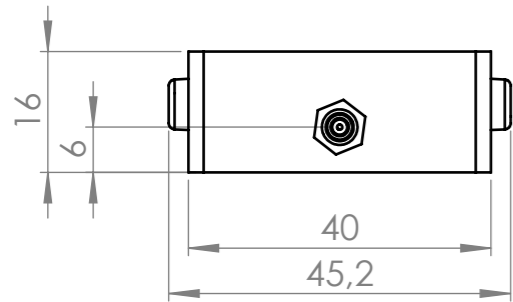
Features

- High speed
- Low insertion losses
- High reliability
- High extinction ratio
- Compact design

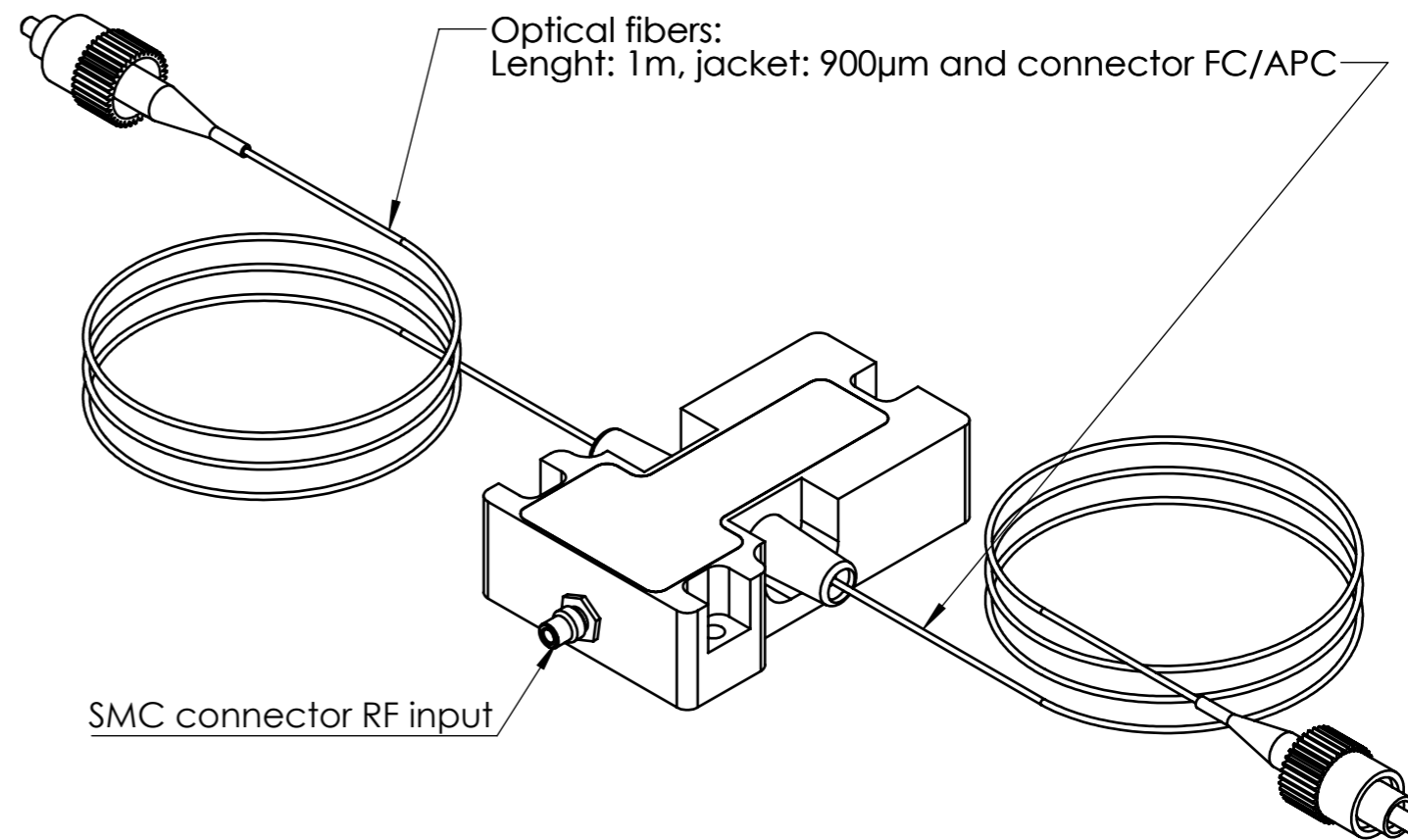


	Units	Min	Nom	Max
Material		TeO ₂ [L]		
Optical Wavelength range (λ)	nm	1030		1064
Carrier Frequency / Frequency shift	MHz	+ 200		
Insertion losses (IL)	dB			3
Input / Output Polarization		Linear / Linear		
Rise/Fall time	ns		10	
Analog Amplitude modulation bandwidth -3 dB	MHz			48
Polarisation Extinction Ratio (PER)	dB	18	20	
Polarisation dependence losses (PDL)	dB			0.6
Static Extinction Ratio	dB	45	50	
Optical power CW	W			1
Fiber Type		PM 980		
Jacket type		900 μm Hytrel tubing		
Fiber connectors		FC/APC		
Pigtailed length IN/OUT	m	1		
Input impedance	Ω		50	
V.S.W.R			1.2/1	
RF Power (P)	W			2.2
RF Connector		SMC		
Size	mm ³	60 x 40 x 16		
Weight	g		60	
Packaging		IN PRO 333		
RoHS Compliance		Yes		

$$* F_{-3dB} = \frac{0.48}{T_r}$$



3x FIXING HOLES FOR SCREWS M2.5



B	03/07/2015	G.M	Modification forme capot + Mise en plan.		
A	17/10/2014	G.M	Plan initial / Initial plan		
Indice Index	Date	Auteur Author	Modifications		
Conception Design	G.M	Désignation / Designation		 <p>A.A. SA OPTO-ELECTRONIC DIVISION 18, rue Nicolas Appert F-91898 ORSAY tel : 08 11 09 76 76 fax : 01 76 91 50 31</p>	
Vérification Checking	G.M	Référence / Reference			
Tolérance Tolerance	ISO 2768mK	IN-PRO-333			
Echelle Scale	1:1	Matière / Material	Traitement / Treatment	Finition / Finish	
		Format A3	Ce document est la propriété de A.A.SA. Il est strictement interdit de reproduire ce document ou une partie sans l'autorisation de A.A.SA. This document is the property of A.A.SA. It is strictly prohibited to reproduce this document or a part without the authorization of A.A.SA.		Folio / Page 1/1
					Indice / Index B