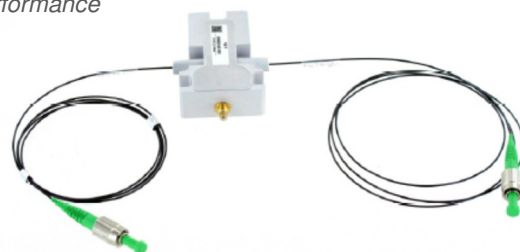


Product Overview

This compact fiber pigtailed device is meant for a single-wavelength operation in [1500-1600] nm. It can be used for intensity modulation with a rise time of 30 ns as well as fixed frequency shifting of 80 MHz. Its compactness, reliability and high performance will make this modulator a good candidate for industrial applications

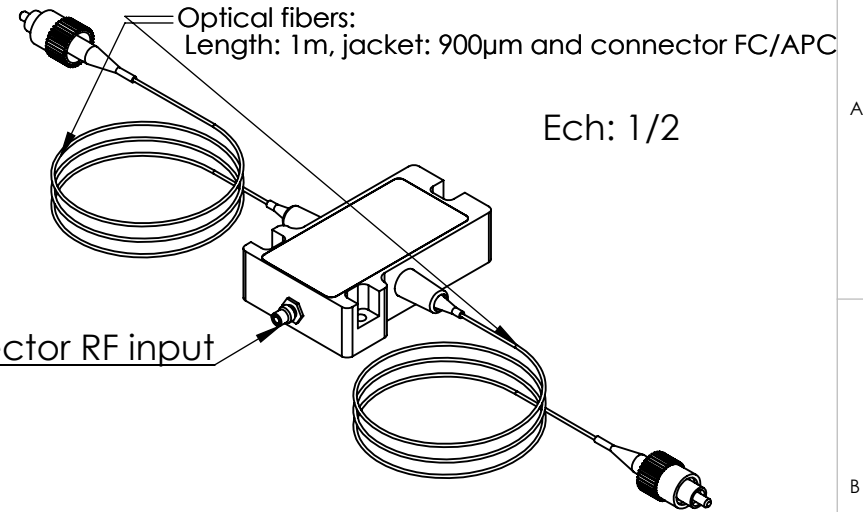
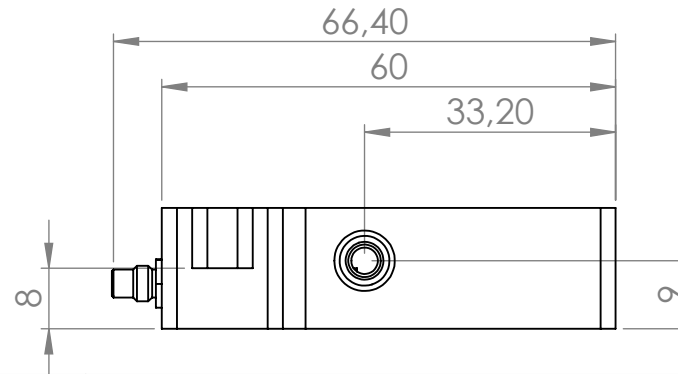
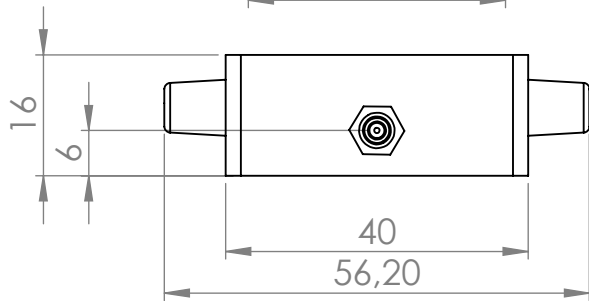
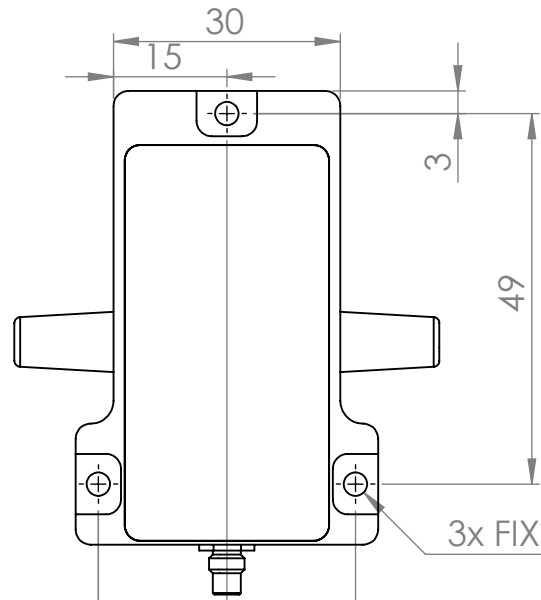



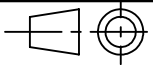
Features

- High extinction ratio
- High speed
- High reliability
- Compact design

	Units	Min	Nom	Max
Material		TeO ₂ [L]		
Optical Wavelength range (λ)	nm	1500		1600
Carrier Frequency / Frequency shift	MHz	+ 80		
Insertion losses (IL)	dB		2	3
Input / Output Polarization		Linear / Linear		
Rise/Fall time	ns		30	
Analog Amplitude modulation bandwidth -3 dB	MHz			16
Polarisation Extinction Ratio (PER)	dB	18	20	
Polarisation dependence losses (PDL)	dB			0.5
Static Extinction Ratio	dB	45	50	
Optical power CW	W			0.5
Jacket type		900 μm Hytrel tubing		
Fiber type		PM 1550		
Fiber connectors		FC/APC		
Pigtailed length IN/OUT	m	1		
Input impedance	Ω		50	
V.S.W.R			1.2/1	
RF Power (P)	W			2.2
RF Connector		SMC		
Size	mm ³	60 x 40 x 16		
Weight	g		60	
Packaging		IN PRO 330		
RoHS Compliance		Yes		

$$* F_{-3dB} = \frac{0.48}{T_r}$$



A	03/02/14	G.M	Plan initial / Initial plan		
Indice Index	Date	Auteur Author	Modifications		
Conception Design	GM		Désignation / Designation		
Vérification Checking	FLF		PLAN D'INTERFACE		
Tolérance Tolerance	ISO 2768mK		Référence / Reference		
Echelle Scale	1:1		IN-PRO-330		A.A. SA OPTO-ELECTRONIC DIVISION 18, rue Nicolas Appert F-91898 ORSAY tel : 08 11 09 76 76 fax : 01 76 91 50 31
Format	A4		Matière / Material	Traitement / Treatment	Finition / Finish
			Ce document est la propriété de A.A.SA. Il est strictement interdit de reproduire ce document ou une partie sans l'autorisation de A.A.SA. This document is the property of A.A.SA. It is strictly prohibited to reproduce this document or a part without the authorization of A.A.SA.		
			Folio / Sheet	Indice / Index	
			1/1	A	