

## MT200-IR10-Fio-xx-J1-A-Ic

### PRODUCT OVERVIEW

This compact fiber pigtailed devices is meant for a single-wavelength operation in [1030-1064] nm. It can be used as intensity modulator, fixed frequency shifter and also as pulse picker. Its compactness, reliability and high performance will make this modulator a good candidate for most industrial applications.

### FEATURES

- High Speed
- Low Insertion losses
- High Reliability
- Compact design.



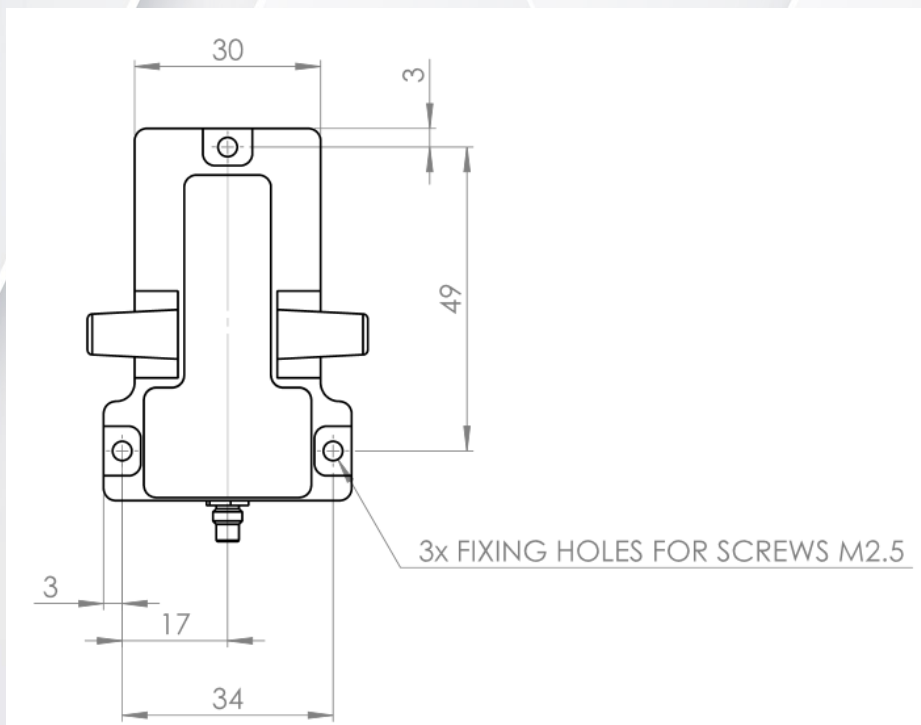
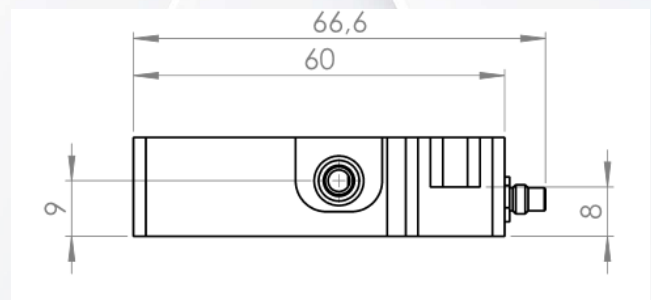
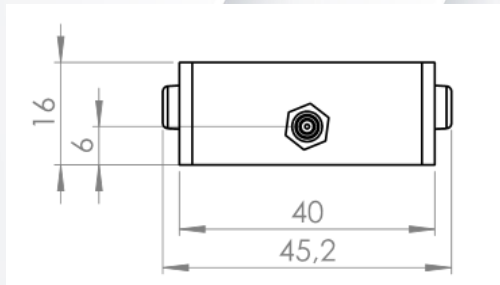
### SPECIFICATIONS (T=25°C)

PARAMETER	RATING	UNIT
Material	TeO <sub>2</sub> -L - 4200	m/s
Optical Wavelength range (nm)	1030-1064	nm
Carrier Frequency / Frequency shift	+ 200 (Upshifted)	MHz
Insertion losses (IL)	≤3	dB
Input / Output Polarization	Linear/Linear	
Rise/Fall time	10	ns
Polarisation Extinction Ratio (PER)	≥18	dB
Polarisation dependence losses (PDL)	≤0.6	dB
Static Extinction Ratio	≥45	dB
Optical power CW	≤1	W
Jacket type	900 μm HytreI Tubing	
Fiber type	PM 980 or PLMA10 (10/125), PM1060L or FUD-3460	
Fiber connectors**	FC/APC	
Pigtailed Length IN/OUT	1	m
Input impedance	50	Ω
V.S.W.R	1.2/1	
RF Power (P)	≤2.2	W
RF Connector	SMC	
Size	60 x 40 x 16	mm
Weight	60	g
Packaging	IN PRO 333 or IN PRO 330	
RoHS Compliance	Yes	

\*\*While internal termination is designed for high optical power, we recommend removing the connectors and splicing the fiber for full power optical power handling.

# MT200-IR10-Fio-xx-J1-A-Ic

## OUTLINE DRAWING IN PRO 333, mm



# MT200-IR10-Fio-xx-J1-A-Ic

## OUTLINE DRAWING IN PRO 330, mm

