

QMODPOAxx

Product Overview

These drivers based on quartz oscillators, produce a fixed stable and accurate RF frequency signal. The built in amplifier delivers the necessary RF power to drive an air cooled Q-switch up to 20 W. The RF output power can be externally modulated with a TTL and an analog 0-5V signal. Standard output power is up to 30W, but can be reduced on request. Standard power supply is 24VDC.

FEATURES

- Fixed frequency 27.12, 40.68, 68, 80 and 110 MHz
- RF power up to 20 Watts
- TTL + Analog controls
- RoHS



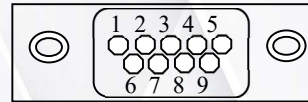
SPECIFICATIONS (T=25°C)

	Units	Specifications
Carrier Frequency	MHz	27.12 / 40.68 / 68 / 80 / 110
Frequency Stability	ppm/°C	Nom +/- 1
Frequency Accuracy	ppm	< 50
Output RF Power (@1dB compression)	W	max 20
Power Supply OEM version	VDC	24 +/- 0.5 Current: $I_{OFF}=0.5A / I_{ON}=1.7A$ @40MHz @20W $I_{OFF}=0.5A / I_{ON}=1.5A$ @80MHz @20W $I_{OFF}=0.5A / I_{ON}=1.3A$ @110MHz @20W
Digital Control (Pin 3)		TTL / 1 k Ω Pull down (DPC1 = RF ON)
*Analog Control PAC (Pin 7) *Analog Control FAC (Pin 8)		0-5 V / 10 k Ω , RF OFF LEVEL Control (PAC) (Pull down) OPTION: 0-5 V / 10 k Ω , 5V= RF HIGH LEVEL Control (FAC) (Pull down)
Rise Time/Fall time (10-90%)	ns	Nom 35 (<50) @40MHz Nom 25 (<35) @80MHz Nom 20 (<30) @110MHz
Class		BC
Output Impedance	Ω	50
VSWR		< 1.5/1
Extinction Ratio	dB	> 45
Input Connector		DB9
Output Connector		SMAf
Size / Weight		129 x 61 x 30 mm ³ / 340 g
Heat Exchange		Conduction through baseplate for OEM versions
Operating Temperature	°C	10 to 40 (max Tcase 55°C)
Storage Temperature	°C	-40 to +85

QMODPOAxx

PIN Connections

- Pin 1,2,6: GND
- Pin 4,5,9: +VDC
- Pin 3: Digital Input (TTL)
- Pin 7: Analog Input PAC (RF OFF LEVEL CTRL)
- Pin 8: Analog Input FAC (OPTION: Analog AM CTRL)



DETERMINE YOUR MODEL REFERENCE

QMODP0A40.68-B5R-43

CARRIER FREQUENCY

- **27.12** 27.12 MHz
- **40.68** 40.68 MHz
- **68** 68 MHz
- **80** 80 MHz

POWER SUPPLY

- **B** 24 VDC
- **A** 15 VDC (Not available)

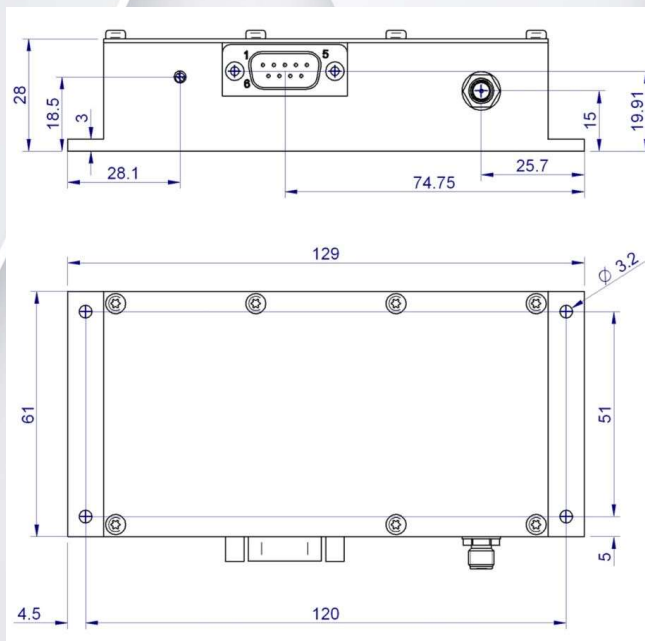
DPC CONTROL

- **(-)** TTL/ 1 Kohms
- **5R** TTL Reversed/1 Kohms

MAX RF POWER

- **40** 10 Watts
- **42** 15 Watts
- **43** 20 Watts
- **44** 25 Watts

MECHANICAL DRAWINGS (mm)



*SYNOPTIC PAC/FAC OPERATION

